



# The HARC Spark

The Official Newsletter of the  
Holmesburg Amateur Radio Club  
WM3PEN 146.685 Mhz Repeater  
K3RJC 444.9 Mhz Repeater  
K3FI - CLUB CALLS - WM3PEN  
Web Site <http://www.harcnet.org>



February 2016

## *Club Meeting February 18 Charter Day – March 13*

### **Time to Think About Field Day Alverthorpe Park June 25 -26**

HARC will be participating in Field Day this year. To make sure we don't get rained out, it's time to think about changes to the station plan at the park. It could mean better tents, longer runs of coax, etc.



This year's Field Day introduces two new ways to score bonus points -- Social Media and Safety Officer.

**Rule 7.3.16 Social Media** offers 100 bonus points for promoting your Field Day activation to the general public via an active, recognized, and utilized social media platform, such as Facebook, Twitter, or Instagram. This bonus is available to bona fide Amateur Radio clubs and Field Day groups that welcome visitors to their operations. These bonus points are not available to *individual* participants, and club websites do not qualify as social media for this bonus. The bonus points are available to all Field Day entry classes meeting the criteria.

**Rule 7.3.17 Safety Officer** offers 100 bonus points by designating someone to serve as a Safety Officer for groups setting up Class A stations. This person must verify that all safety concerns on the Safety Check List -- found in the ARRL Field Day Packet -- have been adequately met. This is an *active* bonus. Simply designating someone as Safety Officer does not automatically earn the bonus points. In order to claim this bonus, participants must include a statement verifying the completion of the Safety Check List in the supporting documentation sent to ARRL Headquarters.

Last year, 2720 stations submitted ARRL Field Day entries. Nearly 1.3 million contacts were logged during FD 2015 -- an increase of just over 1 percent. Nearly 35,400 individuals took part in Field Day last year.

The 2016 ARRL Field Day logo makes a connection to the League's year-long National Parks on the Air (NPOTA) operating event. NPOTA celebrates the centennial of the National Park Service (NPS).

The design's featured hiking boot footprint anticipates that many 2016 Field Day groups and individual operators may want to combine FD and NPOTA, setting up at national parks, historic sites, or at any of the hundreds of official National Park Service units throughout the US. Pick your park, get the okay from park officials, get out and get on the air, and leave *nothing but footprints!*

Follow Field Day on [Facebook](#) and [Twitter](#) (hashtag #ARRLFD).

## HARC Board of Directors

President/Treasurer - Bob Josuweit, WA3PZO

Vice President - Greg Malone, WA3GM

Secretary - Saul Broudy, W3WHK

Technical - Ron Cardullo, K3RJC

Member-at-Large - Sol Volen, N3UBY

Mike Wurgley, N3LXN

Webmaster - Rich Shivers, AB3EO

Newsletter Editor - Bob Josuweit, WA3PZO

WM3PEN @ AOL.COM

H.A.R.C. Monthly Meetings - The Board of Directors meets on the 1st Thursday @ 7:30 PM (Odd number months). General meetings are held the 3rd. Thursday @8:00 PM. Pathway Bldg, Philadelphia Protestant Home, 6401 Martins Mill Road at Tabor Rd . Phila PA. Picnic in August. Holiday Dinner in December.



H.A.R.C maintains the 146.685 repeater located @ Univ. of PA., Phila PA with inputs in Abington, N.E. Phila, and Cherry Hill, NJ; More Club Information & Member Applications can be had by contacting any of the Directors via E-mail.

[WM3PEN@arrl.org](mailto:WM3PEN@arrl.org), the web page

<http://www.harcnet.org> or writing to HARC 3341 Sheffield Ave, Philadelphia, PA 19136.

Keep up on the latest HARC news by checking out the Club website

[www.HARCNET.org](http://www.HARCNET.org)

### Upcoming Events

October 15 - ARES

October 18 - NE Phila Youth Run

November 19 - Compact Loop Antennas

## PHILA ARES INFORMATION

All amateurs interested in participating should check into the Phila ARES Net, Sunday's at 9:00 PM, hosted on the Phil-Mont Repeater System; 147.030 MHz (+offset 91.5 PL) ;444.80 MHz (+offset 186.2 PL) When control operators are available, Echolink node 29742, WU3I-L, is on the repeater. Backup link is KB3IV-L.

All interested amateurs are welcomed and encouraged to check in for more information. There is always a different topic of interest to the amateur community discussed with an informal round table of comments and suggestions.

Look forward to having all check in on Sunday nights @ 9:00 pm. See web site for more information.

- Visit the Philadelphia ARES web site

<http://www.harcnet.org/aresindex.html>



## VE SESSIONS

PhilMont Mobile Radio Club has testing in Ambler, PA on the 4th Thursday of every month. Exams , 1414 E. Butler Pike in Ambler, PA.

Registration begins at 7pm.

Warminster Amateur Radio Club has testing the last Wednesday evening of each month except August and December. The sessions are at the Warminster Recreational and Educational Center on Little Lane, and start promptly at 7:00 PM (registration 6:45 PM).

Bryn Mawr - quarterly on a Saturday. Contact Bob Lees, W3ZQN, [rjlees@aol.com](mailto:rjlees@aol.com)

## HF AWARDS MANAGER

Are you getting close to having all 50 states confirmed for the Worked All States award or working enough grid squares for to qualify for the VUCC Award? As a HARC service you can now have your QSL cards verified by Bob, WA3PZO, and not have to ship the cards to ARRL Headquarters. You must be an ARRL member to qualify for the awards. Additional information and links can be found on the HARC website ([www.harcnet.org](http://www.harcnet.org))

## HARC General Meeting minutes, 21 Jan 2016

WA3PZO called the meeting to order at 2008, and announced upcoming events:

- March 13 Charter Day
- NPOTA in progress (we hope to work with NE Phila. History Network at one of their events this year)
- NE Run – Support for 2016 Run.
- Winter SWL Fest held early this year(Feb.19-20)

Attendees(10 + speaker) introduced themselves. Tom AF4NC gave his interesting talk on "QSL Card Collecting".

Meeting adjourned at 2120.=

## HARC Board Meeting Minutes, 7 Jan 2016

Meeting called to order by WA3PZO at 1946. Attending: N3UBY(host), WA3PZO, N3LXN, W3WHK, WA3GM(by telephone), K3RJC

Treasurer's report by WA3PZO accepted:

National Parks on the Air: The autumn History Fair at Holy Family University is held every other year, so not possible to set up there, but W3WHK will maintain contact with the NE Philadelphia History Network re opportunity to participate in one of their events during 2016.

Field Day rain plan ideas:

- use pavilion, get tarps, check on 200 ft. of coax for each antenna to reach pavilion

Other upcoming events:

Charter Day March 13, 13 Colonies July 1-6.

EPA section Club Summit will take place in February; WA3PZO will attend to represent our club

Repeater report from K3RJC:

K3RJC continues work on the Fusion repeater. Meeting adjourned c. 2100.

Saul Broudy W3WHK  
Secretary

## Stamps For the Wounded



HARC members are collecting postage stamps for the Stamps For the Wounded program. *Stamps for the Wounded* accepts any U.S. or foreign stamps that are not torn or damaged. They have

also requested each stamp should have at least a quarter-inch margin around the stamp. Do not try to either to peel or steam the stamp off the original envelope.

So save the stamps from your qsl cards or other mail. They do not need the common Flag Forever stamp. Bring the stamps to a club meeting and give them to Rich, AB3EO, who will mail them.

Many stations, including DX, included extra stamps with their qsl cards for WM3PEN that we are able to pass onto the SFTW program. We had 4 stamp albums donated and several mailings once stations received an insert with SFTW information in their qsl card. We even had inquiries from 2 clubs interested in starting their own program.

## Ham Radio TV Shows Increase to 2

By now most are familiar with Tim Allen, KK6OTD, plays a ham radio operator on the ABC comedy Last Man Standing. Now the movie Frequency will be a tv series.

The Den of Geeks report The CW Television Network plans to make a TV series based on the amateur radio themed movie **Frequency**. In this 2000 science fiction movie, John Sullivan (Caviezel) is a New York City homicide officer who is traumatized for 30 years following the death of his father, Frank (Quaid). After finding Frank's HAM radio, John begins talking to Frank, 30 years into the future. Together, they change the past but have to find a way to stop a serial killer from murdering John's Mom & Frank's wife with a 30 year gap

As in the movie, a young ham radio enthusiast - this time a female police detective named Raimy in 2016 - discovers she can use her radio to communicate with her estranged father, Frank Sullivan, played by Riley Smith. The twist, of course, is that her father - also a detective - died in 1996, and their communication somehow spans the gulf of time.

Allen plays Mike Baxter, KA0XTT, on The Last Man Standing. John Amodeo, NN6JA, told the ARRL "The Amateur Radio operators on the crew of 'Last Man Standing' are delighted that Tim has taken and passed his Technician exam and received his own, real call sign," Amodeo said. "It took more than 3 years to make it happen, and it started with Tim's personal interest in radio technology and his request to make the Mike Baxter character an Amateur Radio operator." The ham shack on the show is a working station.

More than 2 dozen members of the "Last Man Standing" crew -- and now Allen, its star -- have been inspired by the show's Amateur Radio component to get licensed.

### **Pennsylvania "67" Challenge Award**

Amateur Radio operators around the world have the opportunity to participate in the Pennsylvania "67" Challenge. The Challenge, sponsored by the Holmesburg Amateur Radio Club, is to make contact with all 67 Pennsylvania Counties. The Challenge is open to all amateur radio operators regardless of individual station capabilities. All contacts must be 2-way communications made in real time. These contacts may be on any Amateur Radio band/mode.

Contacts made using repeating devices such as FM repeaters, Amateur satellites, moon-bounce, and keyboard-to-keyboard contacts through digipeaters/nodes are valid, because these QSOs are made in real or near-real time. Contacts using IRLP, Echolink, or D-Star are valid as long as a radio is being used by both operators. All contacts must be made from the same county.

As an incentive Pennsylvania "67" Challenge certificates may be earned by working stations in 20, 40, 60, or all 67 Counties. Paper or electronic QSLs are acceptable. The contacts can be verified by a local club officer or mailed to the Holmesburg Amateur Radio Club.

Complete rules are posted on the HARC website. Questions on the Award can be directed to HARC at [WM3PEN@ARRL.NET](mailto:WM3PEN@ARRL.NET).

## **Pennsylvania Charter Day**

**March 13, 2016**

On March 13, HARC will celebrate Pennsylvania's 335th birthday by participating in Charter Day events. Charter Day is the day King Charles of England granted William Penn a charter for land in the New World to make up for a large debt that the king owed to Penn's father. William Penn had initially decided to name the land "Sylvania," which in Latin means woods. King Charles II added the prefix Penn to the name in honor of William Penn's father, Admiral Sir William Penn, who had served England as a rear admiral. Pennsylvania state museums are open for free on Charter Day and it's the one day each year that the Charter is put on display at the state museum in Harrisburg. WM3PEN (William 3 Penn) will be on the air from 1300Z - 2300Z as band conditions permit. A special QSL card will be offered featuring William Penn. Interested in being part of the special event contact WA3PZO. When you work WM3PEN send an SASE or Green Stamp (\$1) with your QSL to WM3PEN. You can also QSL via the bureau. SWLs may send a confirmation of reception to request a QSL card. Simply indicate the stations making contact with WM3PEN, time, frequency, and your receiving equipment.

### **Shorts.....**

EPA Club Summit on public service originally scheduled for February will be rescheduled in late April.



## Stay Connected!

The HARC Club net meets every Wednesday night at 8 PM on the Club repeater. Check in and see what's going on. HARC has a Facebook page. Sign up today. Follow HARC on the web at [www.harcnet.org](http://www.harcnet.org) and via the HARC Spark.



### Upcoming HARC Events

Trying to plan out your calendar for a few months? Here's a list of upcoming HARC events.

Feb 18 –HARC Meeting

March 3 – Board Meeting

March 13 – Charter Day

March 17 – HARC Meeting

April 21 – HARC Meeting

May 1 – Warminster Hamfest – HARC table

May 5 – Board Meeting

May 19 – HARC Meeting

June 16 – HARC Meeting

June 25-26 – Field Day

July 1- 6 - 13 Colonies Special Event

July 21 – HARC Meeting

### **US House Subcommittee to Consider Amateur Radio Parity Act (Via ARRL Letter)**

The Amateur Radio Parity Act, [H.R. 1301](http://www.congress.gov/bills/113/house/1301), was among three bills that the US House Subcommittee on Communications and Technology considered in a Thursday, February 11 "markup" session. Subcommittee members voted to send the measure to the House Energy and Commerce Committee for further consideration.

The Subcommittee on Communications and Technology is chaired by Rep Greg Walden, W7EQI (R-OR), who, during a January 12

Subcommittee hearing on H.R. 1301, called the measure "a commonsense bill" and urged his colleagues' support. Subcommittee members submitted in advance any amendments they might have to any of the bills being considered in the February 11 markup.

The House bill's sponsor, Rep Adam Kinzinger (R-IL), also spoke in favor of H.R. 1301 at the January 12 hearing, explaining that hams in some neighborhoods "are outright prohibited" from erecting antennas on their properties. He cited Amateur Radio's role in emergency communication support, and said his bill's "reasonable accommodation standard" would not mandate placement, size, or aesthetics regarding an outdoor antenna, leaving ham radio operators and homeowners associations to decide those issues.

Reps Walden and Kinzinger made impassioned statements at the markup session, in favor of the bill. Representative Anna Eshoo also spoke and recognized the work all parties are doing to insure the passage of the bill in the House.

H.R. 1301 would direct the FCC to extend its rules relating to reasonable accommodation of Amateur Service communications to private land-use restrictions, such as deed covenants, conditions, and restrictions. The bill has attracted 120 cosponsors from both sides of the aisle. An identical US Senate measure, S. 1685, has attracted three cosponsors. It cleared the Senate Committee on Commerce, Science, and Transportation last November.

### **Philadelphia Ships Make February News**

Two ships associated with Philadelphia are in the news this month. The SS United States which has been docked in South Philadelphia for nearly 20 years may be moving to New York.

In the 1950s the ship was the world's fastest luxury liner. Now, however, there is a chance the S.S. United States may sail again, after Crystal Cruises, a luxury travel company, signed a

purchase option for the ship. Just months earlier, preservationists almost had to scrap the Titanic-size vessel as their funds dwindled. Stay tuned.



(credit: SS United States Conservancy)

Meanwhile American naval lieutenant Stephen Decatur Set the USS Philadelphia on Fire on February 16, 1804. He led a covert mission to burn the USS *Philadelphia*, an American ship that had fallen into Tripolitan hands, during the First Barbary War in the Mediterranean.

In 1801, Tripoli had declared war on the United States, and President Thomas Jefferson sent the American Navy as a show of force against Tripoli (in present-day Libya). Unfortunately, one of the two big American frigates that had been sent, the USS *Philadelphia*, ran aground on a reef off the shore of Tripoli in October 1803. The captain of the *Philadelphia* tried to dislodge the ship but was unable to do so before Tripolitan sailors arrived and captured the ship's officers and crew and took them [prisoner](#). Despite the Americans' attempts to scuttle their ship, the Tripolitans were able to refloat it during a storm and move the *Philadelphia* to their harbor.

When the commodore of the American forces heard about the *Philadelphia*, a plan was formed wherein a group of Americans would sneak into the harbor at Tripoli and burn the *Philadelphia* so it couldn't be used against them. Chosen to lead the mission was Lieutenant Stephen Decatur, a well-liked and respected officer.

Together with a crew of 84 men, Decatur sailed into the harbor aboard a previously captured Tripolitan boat, pretending to be a Maltese vessel that had lost its anchor. The Tripolitans aboard the *Philadelphia* agreed to let the "Maltese" boat tie up next to them for the night, but when the boat drew close enough, Decatur and his men stormed the *Philadelphia* and quickly dispatched the Tripolitan crew. Then the Americans set the ship ablaze and returned to their own boat and fled, barely escaping being caught in the flames themselves.

Decatur's exploits made him an instant hero, and he was promoted to captain at the young age of 25. He would later go on to become one of America's great naval heroes during the War of 1812 and the Second Barbary War.

### **HamTV school contact – a world first!**

Thursday 11 February 2016, at 18:11 UTC, an educational **ARISS** radio contact took place at the Royal Masonic School for Girls, Rickmansworth, United Kingdom. The school contact was operated by **Tim Peake, KG5BVI** in the frame of the Principia mission. It was a historic event: the radio contact was enhanced with video! Tim Peake activated the Ham Video transmitter on board Columbus.

As far back as the year 2000, a proposal for an ATV system on the International Space Station was submitted to the ARISS Project Selection and Use Committee by Graham Shirville G3VZV. November 2002, a request for amateur radio facilities on the then under construction Columbus module was submitted by Gaston Bertels, ON4WF to Mr Jörg Feustel-Büechl, Director of Manned Spaceflight and Microgravity Directorate of the European Space Agency (ESA).

The request was to install wideband amateur radio antennas on the nadir of Columbus, facing the earth. With such antennas, the on board amateur radio facilities could be extended to amateur TV.

In 2003 the request was examined in detail and finally accepted. ARISS would pay for the

development, manufacturing and qualification of the antennas. ESA would support the installation cost.

ARISS-Europe started a funding campaign, all donations being published on the website.

In 2004 coaxial feed throughs were installed on the port cone of Columbus. This was needed for accessing the antennas with feedlines from inside the module.

In 2005, the Royal Belgian Amateur Radio Society (UBA) signed a contract with the Wroclaw University of Technology, Poland for the development and manufacturing of the antennas. Whereas initial plans were for UHF, L-band and S-band antennas, only L- and S-band antennas could be ordered by lack of funding. The cost of the project was 47.000 Euro.

Early 2006 the antennas were delivered to ESA. Meanwhile main Columbus contractor EADS and subcontractor Alenia Spazio had reviewed mechanical and thermal constraints. Wroclaw University proceeded to qualifications tests (cost 3.000 Euro) and the antennas failed.

In 2007 an additional contract was signed with the Wroclaw University for the development of modified antennas. This amounted to 36.000 Euro. These antennas were accepted and installed on Columbus, October 2007.

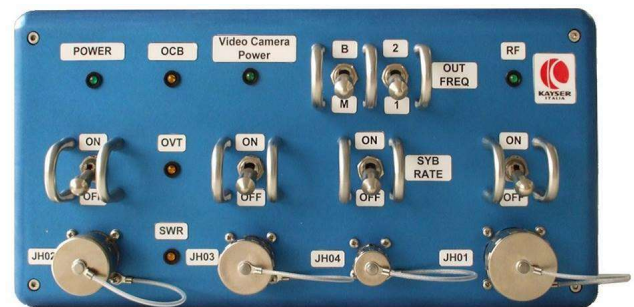
The cost of the antennas finally amounted to 86.000 Euro and was covered by a worldwide funding campaign. ESA supported the total installation cost of the antennas, including feed throughs and coaxial cables.

After the successful launch of Columbus and its integration into the International Space Station complex, an ARISS-Europe working group started a study for the development of an amateur television transmitter on Columbus, using one of the S-band antennas. A debate started between the supporters of analog television (ATV) and the

proponents of digital television (DATV). The working group, which met monthly per teleconference, made progress, but was stuck by the lack of funding.

As time went by, the debate on ATV versus DATV evolved at the advantage of the latter, but no funding was in sight... Then, suddenly, supported by the enthusiasm of Italian astronaut Paolo Nespoli IZ0JPA, who had performed many ARISS school contacts during his 2010-2011 expedition aboard the Space Station, at the initiative of AMSAT Italia, an Italian manufacturer, Kayser Italia, presented a project for an amateur radio DATV transmitter to ESA's educational services.

In 2012, this proposal was accepted and ESA signed a contract with Kayser Italia for the development and the manufacturing of a DATV transmitter on S-band.



This transmitter, dubbed 'Ham Video', was installed on Columbus and ESA transferred the custodianship of this equipment to ARISS.

It was a long way, spanning sixteen years, from the initial proposal to the first ever HamTV school contact. A new era opens for ground station operators, interested in receiving digital amateur television from the International Space Station. A technical challenge already met by a few ground stations in Europe, USA and Australia. Long life to HamTV and success to the pioneering ground stations, world wide! (via Southgate ARC)

**HOLMESBURG AMATEUR RADIO CLUB**

3341 Sheffield Ave., Philadelphia, PA 19136

“Serving the Community Through Ham Radio”

**Next Club meeting is February 18, 2016**

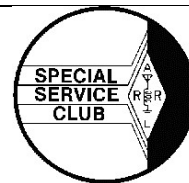


**HOLMESBURG AMATEUR RADIO CLUB  
2016 MEMBERSHIP FORM**

**HARC, 3341 Sheffield Ave, PHILADELPHIA, PA 19136**

<http://www.harcnet.org>

**WM3PEN/K3FI**



All members in good standing are eligible to vote and hold a board office. Dues are \$20.00/year.

Make checks payable to H.A.R.C. and mail to 3341 Sheffield Ave, Philadelphia, PA 19136. Membership year begins May 1.

NAME \_\_\_\_\_ CALL \_\_\_\_\_

ADDRESS \_\_\_\_\_

City, State, Zip \_\_\_\_\_

Telephone # \_\_\_\_\_

Starting in May 2016 the Newsletter will only be sent via email.

E-mail \_\_\_\_\_

Are you an ARRL member? YES NO Membership Expires (mm/yy) \_\_\_\_\_