

remove with care

HOLMESBURG AMATEUR RADIO CLUB, INC.

(a non-profit corporation)

P.O. BOX 6253 ~ PHILADELPHIA, PA. 19136

(Affiliated with the West Link Radio Network, Inc.)



FIRST CLASS MAIL

Personal For:

AAU EDITH ROSNER
W3AAU
645 ARTWOOD DRIVE
PHILA. PA. 19115



NEWSLETTER

MAY
1985

The Newsletter is a publication of the Holmesburg Amateur Radio Club, Inc. Anything that is printed in this paper may be reprinted providing the proper credit is given.

Deadline for Articles: Delivered to the P.O.Box 6253 address by the 15th of each month. You may send directly to the Editor at 585 Kismet Road, Phila. PA 19115.

Editor reserves the right to edit, reject, reduce, etc. all items to be published. **WE WELCOME YOUR INPUT!!**

SUBSCRIPTION RATE: \$3.00 per year "BUY/SELL/TRADE/ETC.": FREE

1985 CLUB OFFICERS AND TRUSTEES

PRESIDENT:	K3UKW Tony Musero	1 Year Trustee:	WA3OQR Charlie Zeager
VICE-PRES:	WA3IJZ Joe Pearlstein	2 Year Trustee:	KB3SM Bob Brocklehurst
TREASURER:	WA3IFY Jay Kuperman	3 Year Trustee:	W3AAU Edith Rosner
SECRETARY:	K3HIN Richie Albert	Club Historian:	W3AAU Edith Rosner 645 Artwood Drive Philadelphia PA 19115

remove with care

NEWSLETTER

LETTERS TO THE EDITOR

As I was preparing several batches of labels, I found out that I had made a very grave error on some ones name; the person proceeded to send not I but someone else in the club not one, but two letters telling the party that it was wrong and should be corrected at once if not sooner.

The person does lots and lots of work for the club and got very upset, which was not necessary. I don't know why some people in this club think we get paid for this. One letter was enough, the correction when it is given to me takes several months - if you want to know why give me a call. We also have one or two members that go around telling other members that they can't come to board meetings, etc. These members are the biggest pain in the a--; they cry the most and are always calling someone at their business or home to complain.

In finishing, let me say this, if you feel that we are not doing a good job "PLEASE" take over the job and if anyone tells you that you can't come to a board meeting tell the pompass a-- that you pay dues also.

Rich, K3HIN

Re your article in March HARC newsletter. The RDF idea is a good one. I would be glad to get some gear (doppler or other type) to be part of the team. Two problems have to be solved. What kind of alerting or signaling system could we develop to get the bearings and not reveal what was going on; and, after we get bearings and go right to the offending QTH, what could we do? FCC won't act unless they hear the guy and if we do anything the local police will defend the offender!! Maybe there are ways I'm not up on! At any rate, count me in.

On call books, I have latest foreign and domestic on hand for reference until Club gets its copies. A good idea. Why not have the tail end of weekly net used for stations needing call book information. Station could mention they need info when checking in or during comments and NCS could re-call those stations after regular net is closed. NCS could hold call books.

Okay, you heard from me.

73, George, W3HK

HARC NEWSLETTER STAFF

Editor-in-Chief: Mark Rothstein,
KC3JV

Circulation, typing, etc.:
Claire Kuperman,
KA3DNJ

Advertising Mavin: Jay Kuperman,
WA3IFY

Computer Corner: Richie Albert,
K3HIN

The English Corner: Ray Godfrey:
N3DQW

Staff: Paul Rothman, K3RBO
Edith Rosner, W3AAU

.....

THIS MONTH IN THE HARC NEWSLETTER

	Page
LETTERS TO THE EDITOR	1
The Prez Sez	2
BREAKFAST MEETING	4
LETTER FROM THE EDITOR	4
DUCKLESS ,Paul Rothman, K3RBO	5
Buy-Sell-Trade	5
Back Cover Graphics, Paul, K3RBO	7

Eye Exams
Contact Lenses

Complete Eye
Care Facilities

Dr. Neil S. Halpern
OPTOMETRIST

K3OAO

Deputy Opticians
12039 Bustleton Ave.
Phila., Pa. 19116

673-1267



(215) 698-1060
9908 Bustleton Ave. (B-9)

Pressure-Sensitive Labels
Rubber Stamps
Promotional Advertising
Fast Service

Philadelphia PA 19115

HOLMESBURG AMATEUR RADIO CLUB, INC.

(a non-profit corporation)

P.O. BOX 6253 ~ PHILADELPHIA, PA. 19136



NEWSLETTER

THE PREZ SEZ

Over the last few months I've attended several large gatherings of ham operators, including the DAYTON HAMVENTION at the end of April. There is something of interest to share with you.

Are you aware that current ranks of ham radio operators is down by 70,000? There seems to be a lack of newcomers as well. Generally, ham radio dealers report that new equipment sales is off by 33.3 to 40 percent. Some manufacturers are, no doubt, beginning to work closely at ROI (Return on Investment). The market is shrinking drastically and some of the importers are worrying about when manufacturers are going to conclude that servicing the ham market isn't worth the investment.

Recently, DRAKE dropped out of the market; next year, who knows?

The ARRL is undergoing a tremendous restructuring and have offered a special incentive to our club to bring in new blood and people to our hobby, during 1985. To summarize, the treasury will benefit if we take action and participate in this program. For each new member we sign up, we will receive \$5.00 and points to qualify for incentives through the year from the ARRL. For each renewal or a membership we will receive \$2.00, so take a few minutes and join or renew and do it through the HOLMESBURG AMATEUR RADIO CLUB, Inc.

Please come out and participate in the General Membership Meetings and make this activity worthwhile. Keep in mind that the meetings have been streamlined to appeal to your interest (I hope) offering something of an educational, fraternal or social atmosphere. If you would prefer to go a couple of rounds, our trainings are wide open to you at the Director's Meetings. Call our attention to your request either in person, through the mail or to the attention of an Officer... the people you elected to do the job.

Tony Musero, K3UKW
President

NEWSLETTER

NOW USE BOTH SIDES
OF YOUR DISKETTE!

DISKETTE HOLE PUNCH



NO GUESSWORK
WITH HOLE GUIDE

and EDGE GUIDE

PUNCH OUT IS ALWAYS IN THE RIGHT POSITION
Available for IMMEDIATE Shipment

only \$9.50 add \$1.50 shipping
For C.O.D. add \$2.00

N.P.S. Inc. (215) 884-6010
1138 BOXWOOD RD. JENKINTOWN PA 19046

VENT-A-DOME, INC.®

REPLACEMENT BATHROOM SKYLIGHT

DESIGNED AND MANUFACTURED
EXCLUSIVELY BY

VENT-A-DOME, INC.

5434 N. 5TH STREET
PHILA., PA 19120
455-7602

SUPPORT OUR ADVERTISERS.
TELL THEM YOU SAW IT IN
THE HARC NEWSLETTER.

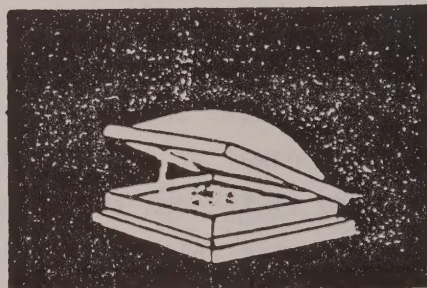
CALL FOR MORE INFORMATION AND DEMONSTRATION

It's an Open & Closed Case!

C.E.S. Touchtone in a mike

KEY PAD MIKE \$65.00+
Stores 10 Phone Numbers
AUTO DIALER MIKE \$94.00+
WITH LED LIGHTED KEY PAD ADD \$10.00

* Add \$2.00 packing shipping & insurance.
Check/Money Order - No C.O.D.s
With AZDEN Mike Plug attached, add \$3.00
Also available for other 2 meter rigs
Order 24 hours a day (215) 884 6010
N.P.S. Inc. 1138 BOXWOOD RD. JENKINTOWN PA 19046



LIGHT
&
VENTILATION

AZDEN

2-6-10 MTR & 440 MHZ AND PCS-300 2M TALKIE

We'll Beat Any Price in This Issue

10 AMP Regulated Supply
10 AMP Continuous \$54.

Service Manuals

PCS 4000
\$9.00

300-3000
\$5.00 EACH

Order 24 hours a day (215) 884-6010
N.P.S. Inc. WA31FQ
1138 BOXWOOD RD. JENKINTOWN, PA 19046



ACCESS
TO
ROOF

NEWSLETTER

DID YOU HEAR ABOUT
THE JUNE 9 MEETING?



IT WILL BE A BREAK-
FAST MEETING WITH
THE
ATLANTIC DIVISION
MANAGER
W3ABC, HUGH
TURNBULL
POSSIBLY THE MAYOR
OF PHILADELPHIA.
KEEP AN EAR OPEN, PARTNER.

LETTER FROM THE EDITOR

If you think this is a skimpy issue of the HARC Newsletter your right! The reason is that not enough people contribute articles and I am tired of having to constantly beg people to contribute articles for publication. We desperately need someone to summarize club news from board meetings news of members etc. We need equipment review articles. We need a public service editor. In short we need writers! I feel that if the present trend continues I will not be able to serve as editor of the HARC Newsletter. Please HELP!

73

Mark Rothstein, KC3JV

NE 7-8329

W3HK

GEORGE S. VAN DYKE, JR., P.E.

CONSULTING ENGINEER

4607 CONVENT LANE
PHILA., PA 19114

PHONE GL 5-3894

ENGINEERING

BEN GINSBERG
METHODS CONSULTANT

MANUFACTURING
SYSTEMS

5228 WESTFORD ROAD
PHILADELPHIA, PA. 19120

W 3 D I P



FIELDING O. L. WATERS

Specializing In Pest Control

BENSALEM, PA.

PA. STATE CERTIFIED

(215) 757-5743

"SOME HOLE IN THE WALL"

(Discount Computer Center)

Commodore 64

SANYO

Hardware - Software - Books - Magazines

We rent software for C64 & Apple

6394 Castor Ave. (Off Leavick)
Phila., PA 19149
(215) 533-1211

NEWSLETTER

DUCKLESS

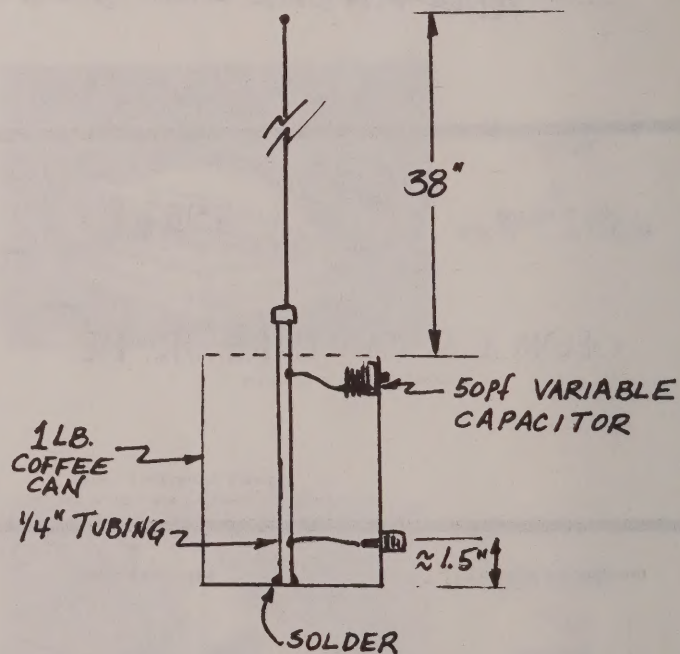
Have you had a rough time getting in to the repeater with your 1.5 watts and rubber duck antenna? It is not an uncommon problem, and should not be a mystery. I am more surprised that the fool rubberized contraption works at all. It is the saddest imitation of an effective radiator of radio waves ever conceived by modern man. It has very limited application, much as two tin cans tied together with string. And it makes for good conversation—"I'm only using an HT with a rubber duck, am I making the repeater?" Chances are that you are not! Notice how you say "only a rubber duck"?

But there is an answer, and many of you have seen and heard my solution. A coffee can... Yes, you heard me, a COFFEE CAN. I am not claiming to have discovered this very effective antenna. Credit goes to a ham who published his invention in '73 magazine in May 1983. But I have built the half wave coffee can antenna, and I can happily report that it is one of the few articles in the mags that lives up to its expectations. This antenna has the following advantages over a rubber duck:

- It has gain.
- It can be positioned in the best location for good radiation.
- It does not require a ground reference, like most ground planes, 5/8 wave antennas, etc.
- It is cheap to build
- It is portable (I have taken it on camping trips and worked repeaters 30 miles away with 1.5 watts).

So, here is the coffee can special. It requires a one-pound coffee can (any brand will do), a miniature air variable capacitor (50pf), a length of 1/4" copper tubing, a coax connector, and a 36" whip, such as used for a CB antenna (excuse the expression). As the figure below shows, the tubing is soldered into the bottom of the can (drill a 1/4" hole first). The coax connector is next mounted through a

hole about an inch from the bottom of the side of the can. Don't connect the wire to the center conductor yet, as some adjustment of the position of this "tap" is required for lowest SWR. The variable capacitor is mounted as close to the top of the can as possible, and a wire is attached to the center conductor at the top of the can. About two inches of the tubing should extend outside the can, as the radiator has to be 38" long.



"COFFEE CAN SPECIAL"

NEWSLETTER

BUY-SELL-TRADE: THIS SERVICE IS PROVIDED

FREE TO OUR MEMBERS. THE HOLMESBURG AMATEUR RADIO CLUB, INC. ASSUMES NO RESPONSIBILITY FOR THE CONDITION OF THE EQUIPMENT OFFERED.

\$

SELL: TI994A COMPUTER with TI994A extended basic - all cables and wires. Have GE computer program data recorder with wire and connectors to computer and TV. Also, 7 Ham programs, 22 games and 8 regular programs..... \$150.00
or
best offer

Call CHUCK WA3OQR at 215-698-1060
.....

- SELL:
- KENWOOD VFO 520..... \$135.00
 - KENWOOD SP-520..... 30.00
 - KENWOOD BS-5 Pan Adaptor for SM-220 Scope (new)..... 55.00
 - DRAKE MN-2700 Ant. tuner 160 10 mtrs (2 KW)..... 285.00
 - ICOM IC-2-AT Basic Pkg., R.D., Chg., Bat., Belt Clip..... 170.00
 - DAIWA CN 620 HF Mtr, SWR & Power..... 75.00
 - KENWOOD 7950 Mobile Radio.. 275.00
 - MFJ "Super Keyboard" for CW ASCII Baudo, 120.00
 - Hygain TH3jr., 10-15-20 mtr. beam. 2 RIW 432 Mhz ant's. Ham 4 Rotor "used", desk/console for shack.
 - KENWOOD BS-5 "Pan-Adaptor", (new) to be used with SM-220 scope 50.00
 - COLLINS KWM-380..... 1800.00
 - ALPHA 76A..... 1150.00

Call TONY MUSERO, K3UKW at 215-271-8898
.....

SELL: 44' E-Z-Way crankup tiltover Tower Mosley Tribander, Heavy Duty Rotator, Rotator Box & 100' rotator cable, 11 element 2mtr. yagi. Ground post must be dug up. (easy in N.J. soil) FROM ESTATE OF A SILENT KEY. BEING HANDLED FOR ESTATE BY:

BERNIE SWEDLOFF, K2SWZ
AT RCA CAMDEN
Phone 9 to 5
(609) 778-3186
or 146.685 in A.M.

After assembling the unit, attach a length of coax, and connect an SWR bridge. With the bottom "tap" connection temporarily connected to the center conductor about 1.5" from the bottom, apply power and adjust the capacitor for minimum SWR. If the dip is not low enough, try moving the tap point up or down until a good match is obtained. After you are finished, connect up your HT, and place the antenna on your window sill. You are now ready to blast everyone's ears off, and the only time you'll ever be heard saying you're using a rubber duck is when you're at the repeater site.

Here's listening to ya,

Paul, K3RBO



FREE!



COME TO HARC'S

FIRST FREE

BREAKFAST

MEETING

SUN., JUNE 9

9:30 AM

THE CHATEAU

BRIDGE ST.



AT HARBISON

